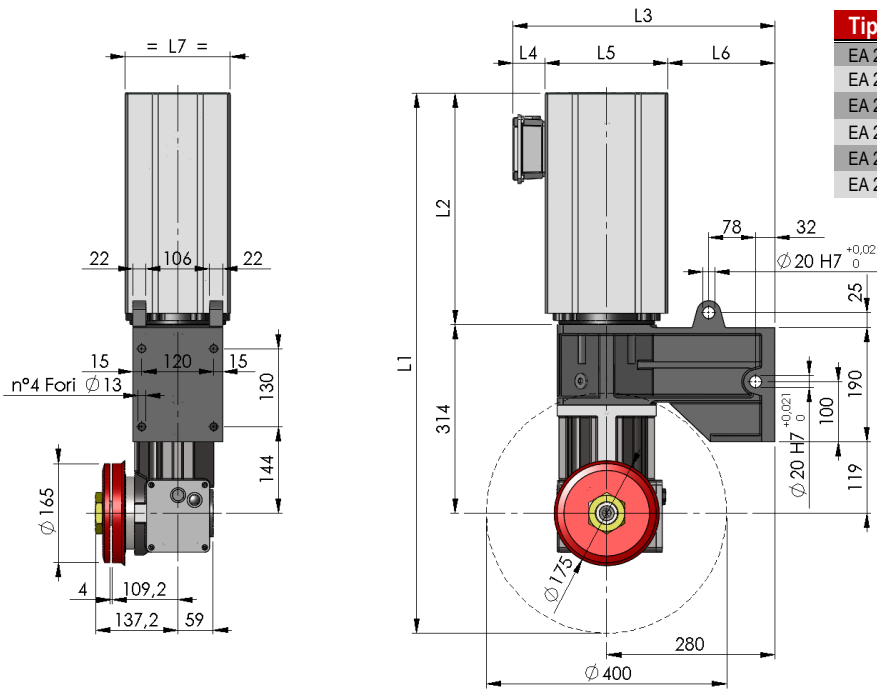


Ingombri – Overall dimensions

IP55



Tipo	L1	L2	L3	L4	L5	L6	L7
EA 200 B/C	908	394	432	50	205	177	175
EA 200 D/E/F	1078	564	476	68	255	156	213
EA 200 G/H/I	958	444	432	50	205	177	175
EA 200 L/M	1078	564	476	68	255	156	213
EA 200 N/O/P	958	444	432	50	205	177	175
EA 200 Q/R/S	1078	564	476	68	255	156	213

⚠ Usare olio Mobil Gear 630 o similare

⚠ Please use Mobil Gear oil or similar

Le caratteristiche e le dimensioni inserite nel presente catalogo sono indicative e suscettibili di variazioni – Verniciatura su richiesta. Features and overall dimensions are subject to change – Painting by request.

**Dati principali – Main Specification**

Potenza	Power (min / max)	4.4 ÷ 14.7 kW
Coppia	Torque	~ 15 ÷ 100 Nm
Vel. massima	Max Speed	3.600 rpm
Cambio utensile	Tool attachment	Flange
Lubrificazione	Lubrication	Grease / Oil
Tipo di unità	Motor unit	Induction
Raffreddamento	Cooling	Air
Cambio utensile	Tool change	Manual

**Caratteristiche – Features**

Esecuzione con disco a DX o SX	Right or left disc execution
Ingombro che permette tagli affiancati da 200mm	Overall dimensions allow cutting 200mm
Rapporto rinvio angolare 1:1	Gear ratio 1:1
Albero Ø40mm	Shaft Ø 40mm

**Option**

Carter di protezione per dischi da 350mm.	Protection guard for Ø350mm blades
Custom design	Custom design

Typical application



Mandrino Spindle	Servizio / Service factor S1				Servizio / Service factor S6-60%				Poli Poles	Peso Pkg
	Power [kW]	Power [CV]	Current [Amp@400V]	Rpm [rpm]	Power [kW]	Power [CV]	Current [Amp@400V]	Rpm [rpm]		
EA 200 B	4.4	6	10	1420	5.3	7.2	11.8	1400	4	96
EA 200 C	6.3	8.5	13.8	1425	7.5	10.2	16.5	1405	4	99
EA 200 D	7.4	10	16	1430	8.8	12	19.4	1410	4	129
EA 200 E	9.2	12.5	19.7	1435	11	15	23.8	1420	4	134
EA 200 F	11	15	23.3	1440	13.2	18	28.2	1425	4	140
EA 200 G	5.5	7.5	11.5	2870	6.6	9	13.8	2840	2	90
EA 200 H	7.4	10	15.2	2880	8.8	12	18	2850	2	98
EA 200 I	9.5	13	19.3	2890	11.5	15.6	23	2880	2	106
EA 200 L	12.9	17.5	25.1	2905	15.5	21	30	2885	2	146
EA 200 M	14.7	20	28.4	2910	17.6	24	34.3	2890	2	150
EA 200 N	3.2/4	4.4/5.5	8.1/8.8	1410/2845	3.9/4.9	5.3/6.6	9/10.6	1400/2820	4/2	93
EA 200 O	3.8/4.8	5.2/6.5	8.8/10.4	1415/2850	4.6/5.7	6.2/7.8	10.3/12.6	1405/2830	4/2	96
EA 200 P	5.5/9.6	7.5/9.4	12/14.3	1420/2860	6.6/8.3	9/11.3	14.6/19.6	1410/2830	4/2	103
EA 200 Q	7.5/9.4	10/13	16/19.6	1435/2900	8.8/11.4	12/15.6	19.2/22.4	1420/2880	4/2	129
EA 200 R	9.2/12	12.5/16.3	20/24.5	1435/2900	11/14.3	15/19.5	24/28	1420/2880	4/2	134
EA 200 S	10.6/14.4	14.5/19.5	23.5/29.5	1440/2905	12.8/17.2	17.4/23.4	28/33.6	1425/2885	4/2	140

Valori ottenuti mediante simulazione numerica – Data obtained by numerical simulation  
Potenze e polarità diverse su richiesta – By request we can manufacture motors with different polarities and horse power

**Supporto a disegno / custom design**

**Uscita multidisco / Multiple blade output**

Personalizzazioni a richiesta – Special features by request

